



BFT proposes lasting and reliable solutions for automating sectional industrial doors. In industrial contexts, where long-lasting security and durability are required, BFT operators meet even the most difficult needs.

SOLUTIONS FOR THE AUTOMATION OF SECTIONAL DOORS

ULISSE



2009 NEW



Dynamic TRAVEL



• POWERFUL AND ACCURATE.

- 55Nm maximum torque in an extremely small package.
- Travel-limit positioning and intermediate positions controlled by absolute-encoder technology.
- 24V technology and solid design: tested to provide unbeatably long service life and reliability under any operating conditions, whether in residential, commercial or industrial settings.

• OPERATING SAFETY.

- Electronic torque, speed and slow-down management system.
- With the anti-crush system installed, the automated door's movement is reversed whenever there is any contact, thus preventing injury and damage to property.
- The absolute-encoder travel limit means stopping is extremely accurate. The travel limit system has no mechanical parts subject to wear or requiring maintenance.

• SMART TECHNOLOGY

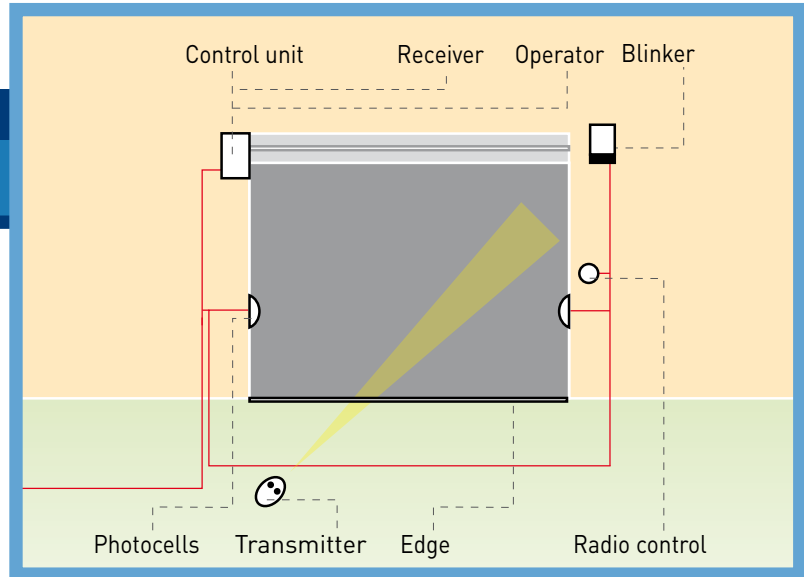
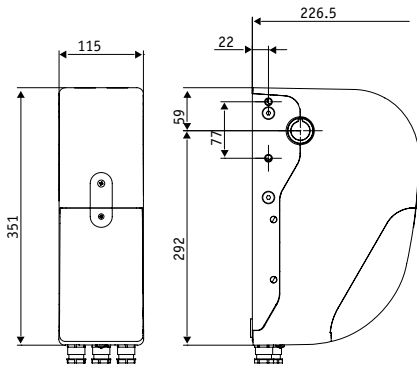
- Control unit with microprocessor technology.
- The simple, automatic setting of operating parameters makes for easier and quicker installation in conformity with the safety requirements laid down by the Machinery Directive.
- Absolute-encoder travel limit, with overrun clutch for quick and simple adjustment.
- Control unit compatible with EELink protocol.

CODE	DESCRIPTION	VOLTAGE	DOOR WEIGHT	Q.TY PER PALLET
P925202 00001	ARGO	24 V	max 20 m ²	30

TECHNICAL FEATURES	
ARGO	
CONTROL PANEL	VENERE D ARGO (incorporated)
OPERATOR	irreversible
POWER SUPPLY	230 V~ ± 10%, 50 Hz single-phase
ABSORBED POWER	70 W
THERMAL PROTECTION	built into control unit
OUTPUT REVOLUTIONS	30 min ⁻¹
MAX TORQUE	55 Nm
IMPACT REACTION	Stop and reverse on encountering obstacle with dynamic torque control curve
TYPE OF LIMIT SWITCHES	encoder
THROUGH-SHAFT	Ø 25,4 mm
MAXIMUM TRAVEL	19 rpm
DIRECT TAKE-OFF	yes
OPERATING CYCLE	intensive use
ENVIROMENTAL CONDITIONS	from -20°C to + 55°C
DEGREE OF PROTECTION	IP40
OPERATOR WEIGHT	~10 kg



DIMENSIONS (mm)



ACCESSORIES



P125005 - BT BAT
Thanks to the back-up batteries and battery charger, the BT BAT kit guarantees low voltage operation of the leaf in

the event of power failure (LIBRA C MA, LIBRA C LX, HYDRA R).

NEW 2009

P125014 - SCS IO
Input/output serial expansion board



P111408 - SCS WIE

Circuit board for direct connection of wiegand accessories (such as SELETTO, COMPAS SLIM, etc) to the control units QSC D MA, LIBRA C MA, LIBRA C MV, LIBRA C LX, VENERE D, LEO D MA, LEO MV, RIGEL 5 and ALTAIR P.



P111401 00001 - VENTIMIGLIA NS
Infrared obstacle detection device for BIR C safety edge compliant with standard EN 12978.



N190104 - BIR C
Rubber safety edge
Prezzo al m.

NEW 2009



P111451 00002 BAR C BA 2
Bord en caoutchouc double profil (2m).
Also available in 4m and 6m version - See Page 150



P111407 - FALCON
Industrial presence sensor. Provided with a 6m cable. TELECOMANDO needed for programming.

NEW 2009



P121019 - T-BOX
Remote control digital pushbutton panel for exterior use, with backlit light-touch keypad.



P121017 - SEK
Vandal-resistant key switch for exterior use with metal casing.



P121016 - RB
Four channels wall radio control with rolling code.



D121611 - SPC
External Start-Stop 2-button panel.



D121612 - SPC2
External Open-Close 2-button panel.

NEW 2009



D121619 - SPC3
External Open-Stop-Close 3-button panel



D121613 - SPCE
External pushbutton panel with mushroom-head emergency button.

NEW 2009



N733421 - RCA
Lever-operated release, with 3.5m-long steel cable.

NEW 2009

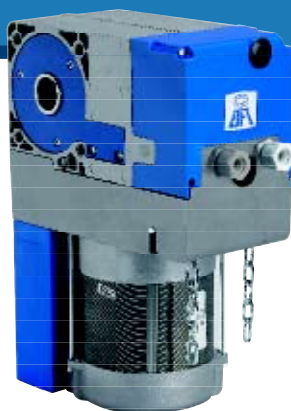


N733422 - RCAL
Lever-operated release, with 7m-long steel cable.

ULISSE SERIES

ELECTROMECHANICAL OPERATOR FOR INDUSTRIAL SECTIONAL DOORS

114



• A MODEL FOR EVERY NEED.

→ Several versions available: 230 or 400 V, 4 or 6-pole, which allow different door opening and closing speeds on the basis of the weight and dimensions of the same.

→ Several versions available: with chain, fast release, and hold-to-run function (in the version with incorporated control panel).

→ Possible of direct or pulley transmission installation.

CODE	DESCRIPTION	VOLTAGE	DOOR WEIGHT	Q.TY PER PALLET
P925188 00002	ULISSE C (Chain release)	230 V	250 kg = 18 m ²	24
P925188 00003	ULISSE C (Chain release)	400 V	500 kg = 36 m ²	24
P925188 00004	ULISSE C UP (Chain release - hold to run)	400 V	500 kg - 36 m ²	24
P925189 00002	ULISSE SB (Quick release)	230 V	250 kg = 18 m ²	24
P925189 00003	ULISSE SB (Quick release)	400 V	500 kg = 36 m ²	24
P925191 00002	ULISSE S C (Fast version with chain release)	230 V	350 kg = 25 m ²	24
P925191 00003	ULISSE S C (Fast version with chain release)	400 V	700 kg = 40 m ²	24
P925191 00004	ULISSE S C UP (Fast version with chain release - hold to run)	400 V	700 kg = 40 m ²	24
P925192 00002	ULISSE S SB (Fast version with quick release)	230 V	350 kg = 25 m ²	24
P925192 00003	ULISSE S SB (Fast version with quick release)	400 V	700 kg = 40 m ²	24

TECHNICAL FEATURES

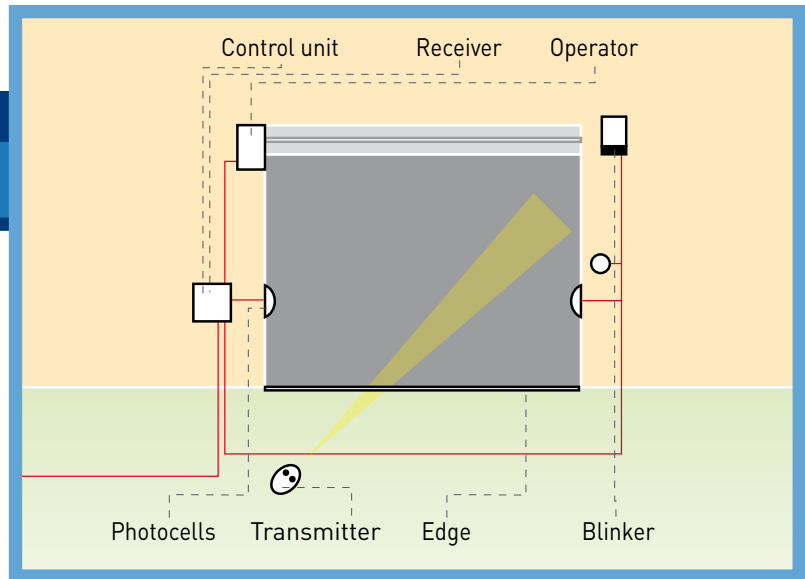
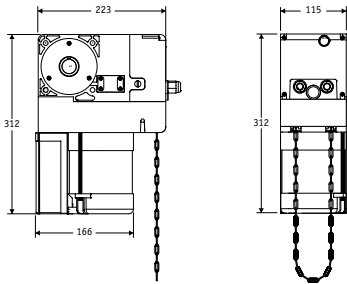
FEATURES OF THE RANGE

SPECIFIC FEATURES

	ULISSE C/SB (230V)	ULISSE C/SB (400V)	ULISSE S C/SB (230V)	ULISSE S C/SB (400V)
CONTROL PANEL	ALPHA FR (suggested)	SIRIO MA (suggested)	ALPHA FR (suggested)	SIRIO MA (suggested)
OPERATOR	irreversible			
POWER SUPPLY	230 V- ± 10%, 50 Hz single-phase	400 V- ± 10%, 50 Hz three-phase	230 V- ± 10%, 50 Hz single-phase	400 V- ± 10%, 50 Hz three-phase
ABSORBED POWER	500 W	770 W	600 W	720 W
THERMAL PROTECTION	built into motor			
OPENING OR CLOSING TIME	from 17 to 20 s			
OUTPUT REVOLUTIONS	22 min	22 min	33 min	33 min
REDUCTION RATIO	1/43			
MAX TORQUE	45 Nm	65 Nm	40 Nm	65 Nm
IMPACT REACTION	external active safety edge			
TYPE OF LIMIT SWITCHES	electric, incorporated and adjustable			
NO, POLES MOTOR	6	6	4	4
THROUGH-SHAFT	Ø 25,4 mm			
STROKE	27,5 rpm			
DIRECT TAKE-OFF	yes	yes	no	no
OPERATING CYCLE	semi intensive use			
ENVIRONMENTAL CONDITIONS	from -15°C to + 60°C			
DEGREE OF PROTECTION	IP20			
OPERATOR WEIGHT	~10 kg			



DIMENSIONS (mm)



ACCESSORIES



D113713 00002
SIRIO MA
See page 141



D113689 00002
ALPHA FR
See page 140



D113612 00001
ELMEC 1
See page 141



D113613 00001
ELMEC 2
See page 141



D113200 00001
SIRIO TMA
See page 142
Available while stock last.



D533019 - CAP5
5-m open release chain pack for ULISSE C.



D533020 - CAP8
8-m open release chain pack for ULISSE C.



N733336
PIG 14/ULISSE S
Z14 pinion gear kit for 1/2" x 5/16" chain.



N733337
PIG 30/ULISSE S
Z30 pinion gear kit for 1/2" x 5/16" chain.



N733338
PIG 12/ULISSE S
Z12 pinion gear kit for 1/2" x 5/16" chain.



N733339
PIG 18/ULISSE S
Z18 pinion gear kit for 1/2" x 5/16" chain.



N733148 - COR 30
Z30 crown wheel assembly for 1" (25.4 mm) sectional door shafts, including key and 2m 1/2x5/16" chain. Suitable for sectional doors with 140 mm cable-winder pulleys.



N733149 - COR 40
Z40 crown wheel assembly for 1" (25.4 mm) sectional door shafts, including key and 2m 1/2x5/16" chain and split link. Suitable for sectional doors with 160 mm cable-winder pulleys.



P111407 - FALCON
Industrial presence sensor. Provided with a 6m cable. TELECOMANDO needed for programming.



P111401 00001
VENTIMIGLIA NS
Infrared obstacle detection device for BIR C safety edge compliant with standard EN 12978.



N190104 - BIR C
Rubber safety edge.

NEW 2009



P111451 00002
BAR C BA 2
Bord en caoutchouc double profil. Length 2m
Also available in 4m and 6m version - See Page 150